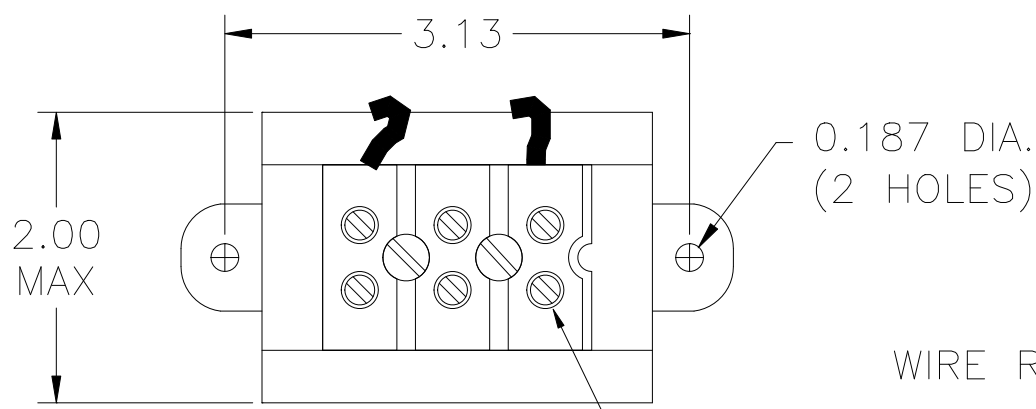


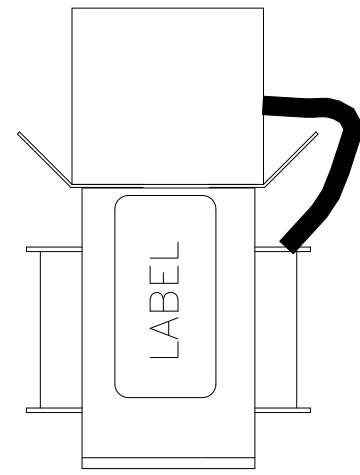
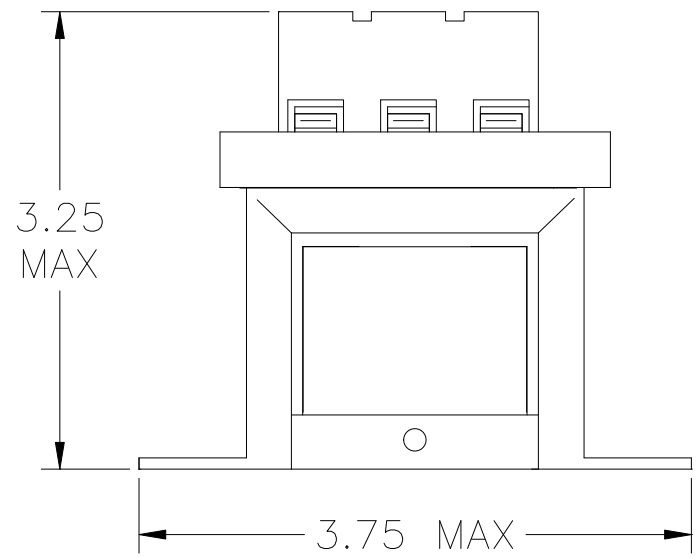
INDUCTANCE	LOSSES	WEIGHT
0.65 mH	5 Watts	2 Lbs

NO.	CHANGE DESCRIPTION	BY	DATE	C'K'D
07	REVISED PER ECR M7156, ADDED CD	DP	8/11/10	

FILE:



CAUTION-TERMINAL SCREW TIGHTENING TORQUE: 20 in-lb MAX.



UNLESS OTHERWISE SPECIFIED, DIMENSIONS ARE IN INCHES [mm] AND TOLERANCES ARE:

DECI. FRAC.

ANGLES DRILLED HOLES

PART NAME:	DC LINK CHOKE
DESCRIPTION:	OUTLINE DIMENSION
FINISH:	

MTE CORPORATION MENOMONEE FALLS, WISCONSIN			
CD DCA001801			REV. 07
SCALE	NTS	DATE 10/13/94	C'K'D
REF.	DR. BY	SJW	APP'D